

WINAUTO



(044)361-05-06

ICQ:495-089-192

(067)469-02-12

ICQ:613-211-859

(099)048-99-03

(093)672-77-76

User's Manual

Universal car mount for communicator Arkon SM515

In the online store Winauto you also can [buy автомобільне кріплення для комунікатора аркон Arkon SM515](http://winauto.ua).
Delivery in Kyiv and throughout Ukraine with payment upon receipt!

winauto.ua



Sale - Car Receivers - Facia Plates - Head Units - Car TVs and Monitors - Antennas - Car Audio - DVR - GPS Navigation - Trip Computers - Car Alarm Systems - Mechanical Locking - Parking Systems - Car Cameras - Xenon and Lights - Established Optics - Tuning - Car Heating and Cooling - Sound Marine and Electronics - Car Accessories - Isolation - Installation Components - Batteries, Power - Oils and Fluids -



SM515 | IPM515 Slim-Grip™ Mini Windshield Suction and Dashboard Smartphone Mount

SM050-HPB-2 Slim-Grip™
Universal Phone Holder



88mm expandable to 120mm
and up to 138mm with Extra
Long Support Legs

Package Contents:

- (1) SM050-HPB-2 Universal phone and portable device holder
- (4) SP-SM050-SF-HPB - Standard support legs for Slim-Grip™ holder
- (1) GN015-HPB-2 - Mini Windshield Suction and Dashboard Mount
- (1) AP013 - Circular Adhesive Dashboard Disc
- (1) SP-SM050-LF-HPB - Extra Long Support Legs (2 Pack) for larger phones

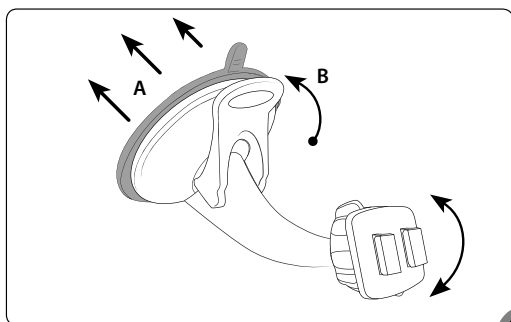
Holder included is Universal, designed to fit nearly ALL non-flip mobile phones regardless of whether a protective case or silicone sleeve is attached to the phone.

- Most smartphones, mobile phones, and cell phones having heights between 80mm and 138mm tall
- Apple iPhone - All models
- RIM BlackBerry - All non-flip models
- HTC Phones - All non-flip models
- Motorola Phones - All non-flip models
- Nokia Mobile Phones - All non-flip models
- Palm - All non-flip models
- LG Mobile Phones - All non-flip models
- Samsung - All non-flip models
- Sony Ericsson - All non-flip models
- Sanyo - All non-flip models
- Pantech - All non-flip models
- Google - All non-flip models

All brand names and product names are trademarks or registered trademarks of their respective owners.

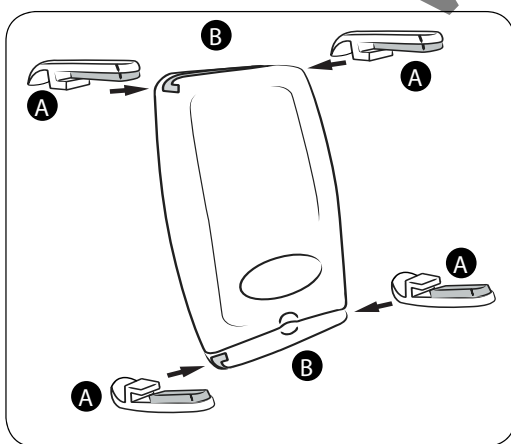
Windshield Mounting

- Step 1. Find a safe location on the interior of the vehicle's windshield to mount the pedestal. Firmly push the suction base (A) against the windshield and flip the base lever down (B) to the locked position. See diagram below.



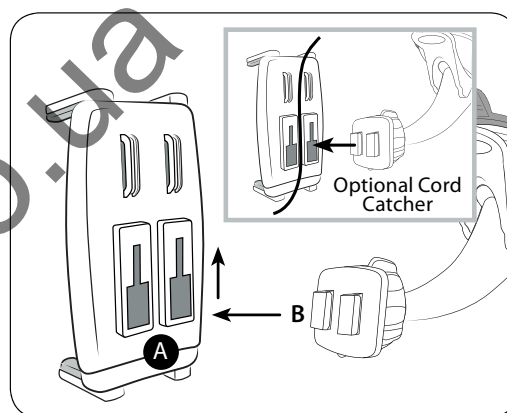
Install the Support Legs to the Holder

- Step 1. Insert the holder support legs (A) by sliding them into the support leg grooves (B) on the top and bottom of the holder.



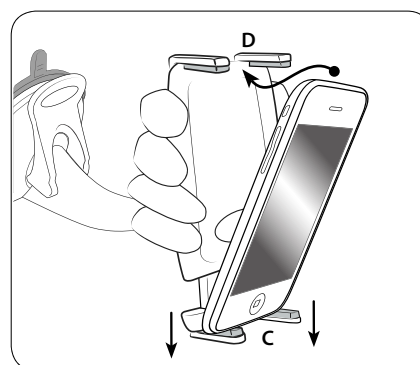
Connecting the Slim-Grip™ Holder to Dual T-Tab Pedestal

- Step 1. Connect the dual T-slots (A) on holder to the dual T-tabs (B) on the pedestal head.



Insert Phone into Holder

- Step 1. Secure holder with your hand for support, as spring-loaded mechanism requires significant force to operate. Hold your phone and insert into universal holder by pushing down on the bottom spring-loaded support legs with moderate amount of pressure (C). Slide the top of the device under the top support legs (D) until it fits snugly in the holder.



Continued on other side...

Safety Precautions

Do not install Arkon products over an air bag cover or within the air bag deployment zone. Arkon Resources, Inc. assumes no responsibility of liability for injury or death as a result of car crashes and/or air bag deployment.

Arkon is not responsible for any damages caused to your car, your device, or yourself due to the installation or use of this mount.

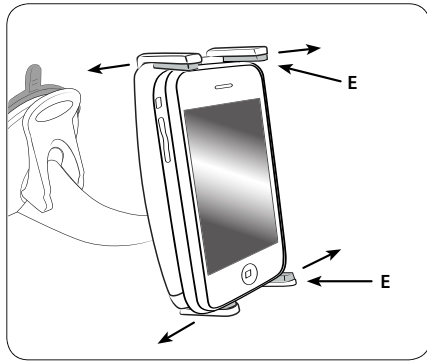
ARKON
RESOURCES INC. The Mobile Mounting Specialists™

Consumer Hotline:
USA (800) 841-0884
INT'L (626) 254-9005
Monday - Friday 9am - 5pm, PST

www.arkon.com
Arcadia, CA 91006 USA
Designed in USA | Made in China
© Copyright 2010 Arkon Resources, Inc.

SM515 | IPM515 Slim-Grip™ Mini Windshield Suction and Dashboard Smartphone Mount

Adjusting Holder to Fit Phone

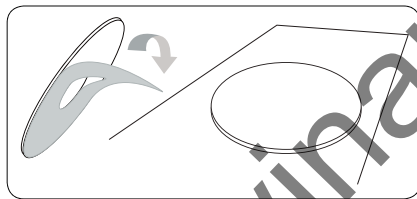
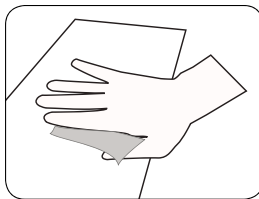


Step 1. If necessary, adjust the support legs (E) on top and bottom by sliding them laterally to avoid any buttons or ports that may be on your phone.

Dashboard or Console Mounting Instructions

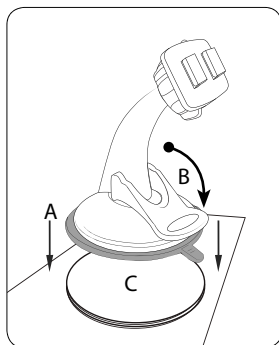
Step 1. Choose a suitable location for disc (and pedestal) installation. **Do not place mount in or near an air bag deployment zone or where it will obstruct view of the road or hinder vehicle operation.**

Step 2. Clean the dashboard or console surface area thoroughly with the included alcohol pad. Allow the area dry before applying the mounting disc.



Step 3. Remove the paper backing of the disc and place on the cleaned surface. Press the top of the disc down firmly to allow the adhesive to stick to the surface. Allow 24 hours for the adhesive to cure to the surface before applying any pressure.

Step 4. Place the suction cup of the pedestal firmly down on the center of the mounting disc and lower the securing lever.



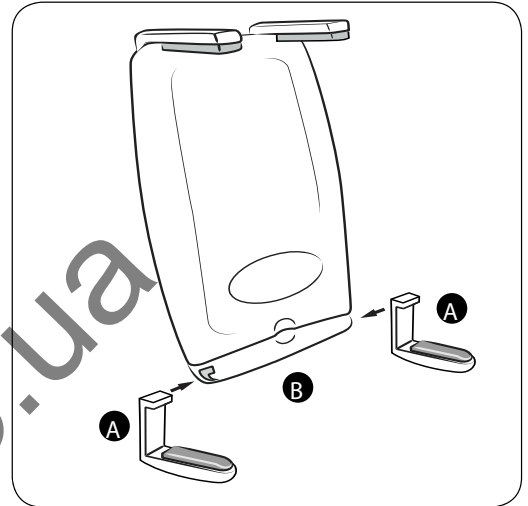
Continued in next column...

Step 5. Push the pedestal suction cup (A) down onto the disk (C). Flip the lever (B) down to secure the suction cup. Adjust the angle of the pedestal head as needed.

Fitting for Larger Phones

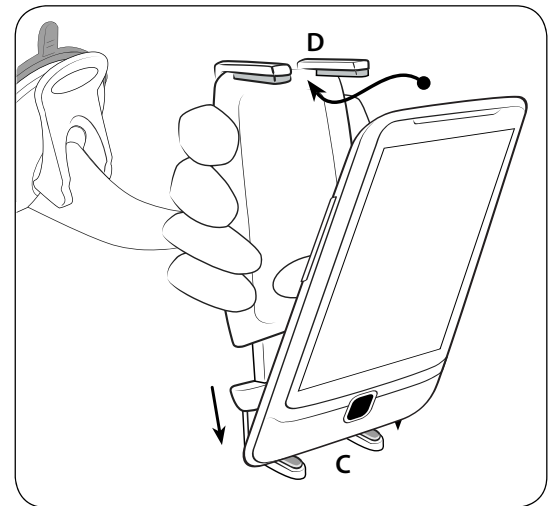
For larger phones such as the T-Mobile G2 and Motorola Droid X, install the two included extra long support legs

Step 1. Insert the extra long support legs (A) by sliding them into the support leg grooves (B) on the bottom of the holder.



Insert Phone into Holder

Step 1. Secure holder with your hand for support, as spring-loaded mechanism requires significant force to operate. Hold your phone and insert into universal holder by pushing down on the bottom spring-loaded support legs with moderate amount of pressure (C). Slide the top of the device under the top support legs (D) until it fits snugly in the holder.



! Safety Precautions
Do not install Arkon products over an air bag cover or within the air bag deployment zone. Arkon Resources, Inc. assumes no responsibility of liability for injury or death as a result of car crashes and/or air bag deployment.

Arkon is not responsible for any damages caused to your car, your device, or yourself due to the installation or use of this mount.

ARKON®
RESOURCES INC. The Mobile Mounting Specialists™

Consumer Hotline:
USA (800) 841-0884
INT'L (626) 254-9005
Monday - Friday 9 am - 5 pm, PST

www.arkon.com
Arcadia, CA 91006 USA
Designed in USA | Made in China
© Copyright 2010 Arkon Resources, Inc.